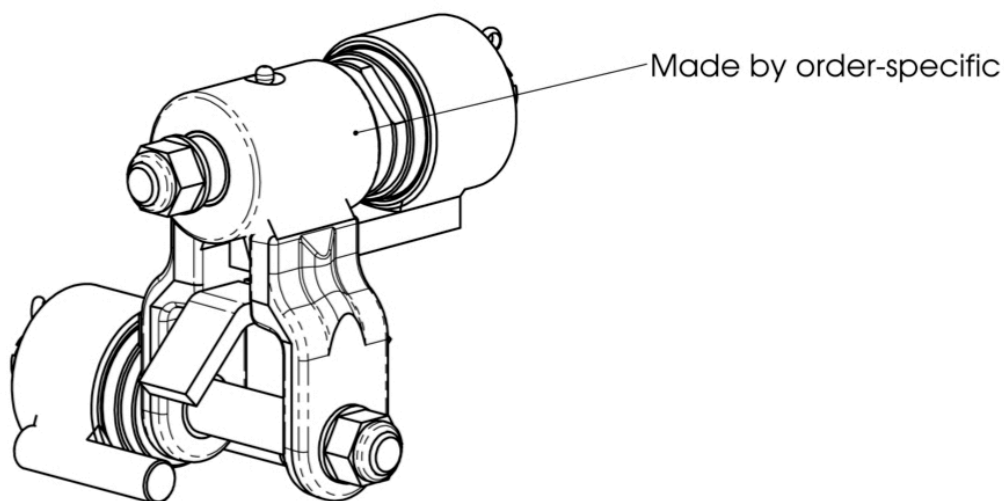
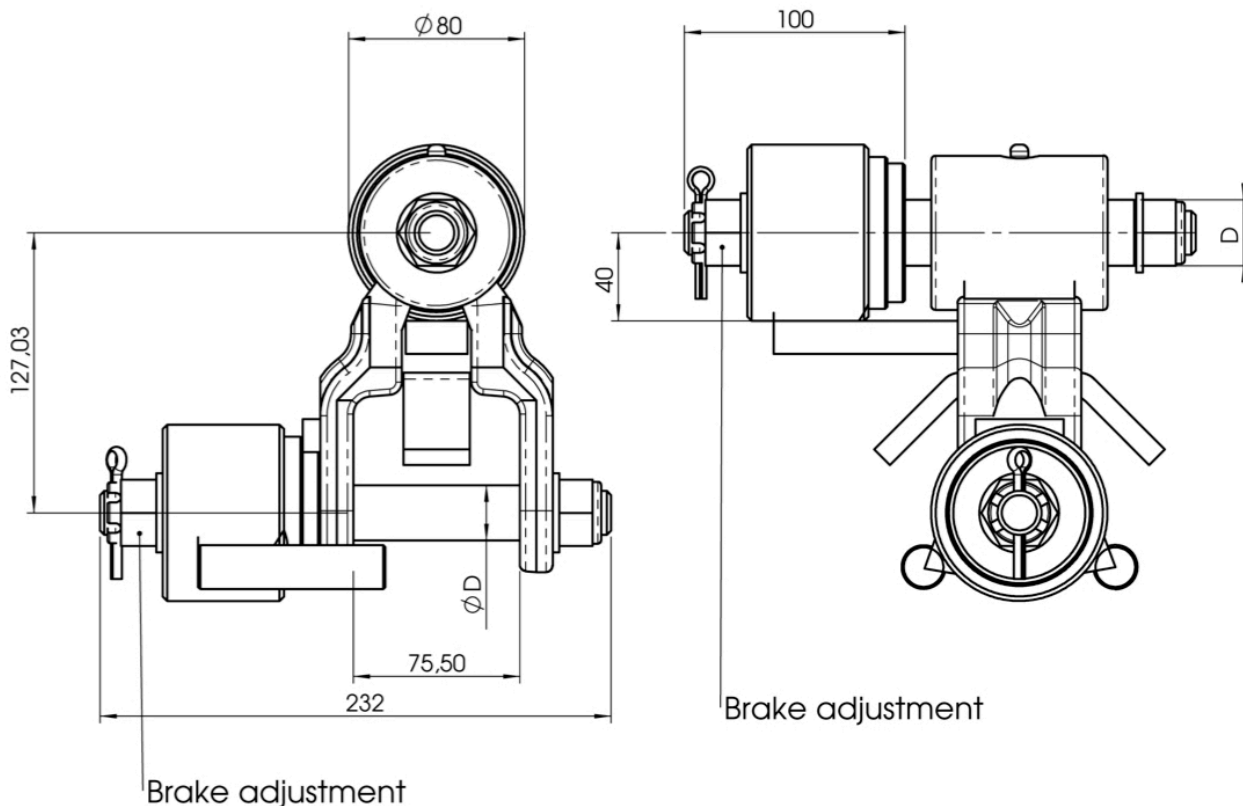


# SWING DAMPER FR 7/10/15



Item	Name	Rotator
507000	Double brake link for FR 7	FR 7
510000	Double brake link for FR 10	FR 10
515000	Double brake link for FR 15	FR 15

LINK

FINN ROTOR

Finn-Rotor OY  
[www.finn-rotor.ru](http://www.finn-rotor.ru)

Тел: +7 (499) 755 - 61 - 34  
 e-mail: [info@finn-rotor.ru](mailto:info@finn-rotor.ru)